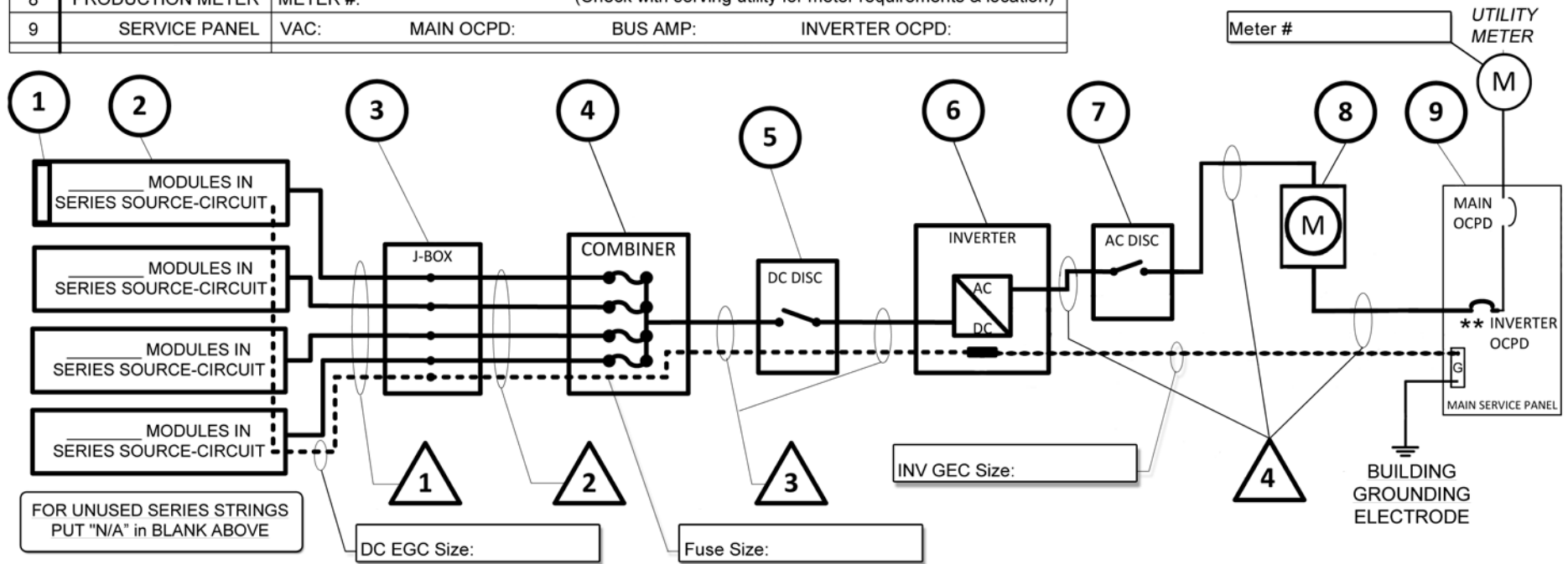


The PV template/diagram must be used to accurately represent the electrical PV system and shall include:

- The correct conductor sizing based on the ambient temperature, number of conductors, and distance of conduit off the roof.
- The correct “Output circuit” conductors sizing from the combiner to the inverter based on the number of strings multiplied by the “Max amps.”
- Where a combiner box is installed, or where more than two strings of modules are electrically connected together in “parallel,” each individual string shall be protected by its own overcurrent protection device or feeders are for the sum of the short circuit current of all strings. The fuse or breaker shall be listed as being suitable for use in a DC circuit and shall meet or exceed the maximum voltage of the circuit. The rating of the fuse or circuit breaker shall not be larger than the maximum size specified on the lowest rated module in the string.
- Per NEC Section 690.31(E), metallic raceway and enclosures must be used where DC wiring is installed inside of the house.
- Grounding on the DC side of the inverter requires a minimum #8 copper grounding electrode conductor run un-spliced from the factory identified system grounding terminal of the inverter to the grounding electrode system of the house.
- The inverter shall be listed and labeled by a recognized electrical testing laboratory and be identified as “Utility interactive.”
- Inverter ground fault protection (GFP) shall comply with NEC 690.5.
- A performance meter and a safety disconnect switch may be required to be installed between the PV power source and the electrical utility equipment. Contact the local serving utility for requirements. Where a performance meter is required by the local utility to record the power produced by the PV system, the output wiring from the inverter shall always connect to the “LINE” side terminals of the meter.
- Where disconnect switches (with or without fuses) are installed in the circuit from the inverter output terminals to the house electrical panel, the wiring originating at the inverter(s) shall always connect to the “LOAD” side terminals of ANY disconnect that has been installed.
- The connection to the service panel shall be through a dedicated circuit breaker that connects to the panel bus bars in an approved manner.
- “Load Side Taps” where the inverter AC wiring does not terminate using a dedicated breaker or set of fuses are prohibited under ANY condition by NEC 690.64(B).
- The location of the PV backfed breaker must be identified per 690.64(B)(7) with the following verbiage: **“WARNING INVERTER OUTPUT CONNECTION. DO NOT RELOCATE THE OVERCURRENT DEVICE.”**
- Where it is not possible to locate the PV breakers at opposite ends of the panel bus, the sum of the two PV breakers is not permitted to exceed 100% of the bus rating per NEC 690.64(B)(7)
- Per NEC 690.53, a permanent label for the DC power source shall be installed at the PV DC disconnecting means. This label shall show the following:
 - Rated maximum power-point current.
 - Rated maximum power-point voltage.
 - Maximum system voltage.
 - Short circuit current of the PV system.

TAG		EQUIPMENT SCHEDULE			
1	SOLAR PV MODULE	MAKE:	MODEL:	(Attach Cut Sheet - See notes for ratings)	
2	PV ARRAY	WEIGHT:	HEIGHT FROM ROOF:	(Attach cut sheet of mounting system)	
3	J-BOX	LENGTH:	WIDTH:	HEIGHT:	NEMA RATING:
4	COMBINER	MAKE:	MODEL:	(Attach cut sheet)	
5	DC DISCONNECT	VDC:	DC AMP:	MAKE:	
6	DC/AC INVERTER	MAKE:	(Attach cut sheet - See notes for ratings)		
7	AC DISCONNECT	VAC:	AMPS:	MODEL:	
8	PRODUCTION METER	METER #:	(Check with serving utility for meter requirements & location)		
9	SERVICE PANEL	VAC:	MAIN OCPD:	BUS AMP:	INVERTER OCPD:

Contractor - Installer Information	
Permit #:	Date:
Name:	
Address:	
Contact Name:	
Contact Phone:	
Email:	



TAG	Conductor Insulation Type	CU/AL	Conductors			*Derated Amps	Raceway		Ambient Temp		Distance off Roof
			Size	Amps	Num		Size	Type	Roof	Attic	
1											
2											
3											
4											

* Note: Derating of conductors based on number of conductors in raceway, ambient temp and distance off roof where applicable. (NEC 310.15)
 ** Note: Conductors and overcurrent devices shall be sized to carry not less than 125 percent of the maximum currents. (NEC 690.8(B))

**Standard Electrical Diagram - Residential Small Scale PV System
Central Inverter Systems**

THIS PLAN MUST BE PROVIDED TO THE INSPECTOR AT THE JOB SITE

Site Name: _____

Site Address: _____

This plan is NOT intended to be used with micro inverters or transformer-less inverters. Conductors, where installed outdoors in raceways shall be "W" rated and have an insulation rating of 90 deg C.

Rev - 02/21/2013

NOTES for Residential Small Scale PV System Electrical Diagram

Permit #:	Date:
Contractor:	
Job Address:	
Contact Name:	
Contact Phone:	

SIGNS

SIGN FOR DC DISCONNECT	
PHOTOVOLTAIC POWER SOURCE	
RATED MPP CURRENT	A
RATED MPP VOLTAGE	V
MAX SYSTEM VOLTAGE	V
MAX CIRCUIT CURRENT	A
WARNING: ELECTRICAL SHOCK HAZARD—LINE AND LOAD MAY BE ENERGIZED IN OPEN POSITION	
SIGN FOR INVERTER OCPD AND AC DISCONNECT (IF USED)	
SOLAR PV SYSTEM AC POINT OF CONNECTION	
AC OUTPUT CURRENT	A
NOMINAL AC VOLTAGE	V
THIS PANEL FED BY MULTIPLE SOURCES (UTILITY AND SOLAR)	

PV MODULE RATINGS

MODULE MAKE	
MODULE MODEL	
MAX POWER-POINT CURRENT (I_{MP})	A
MAX POWER-POINT VOLTAGE (V_{MP})	V
OPEN-CIRCUIT VOLTAGE (V_{OC})	V
SHORT-CIRCUIT CURRENT (I_{SC})	A
MAX SERIES FUSE (OCPD)	A
MAXIMUM POWER (P_{MAX})	W
MAX VOLTAGE (TYP 600V _{DC})	V
VOC TEMP COEFF (mV/°C <input type="checkbox"/> or %/°C <input type="checkbox"/>)	
IF COEFF SUPPLIED, CIRCLE UNITS	

INVERTER RATINGS

INVERTER MAKE	
INVERTER MODEL	
MAX DC VOLT RATING	V
MAX POWER @ 40°C	W
NOMINAL AC VOLTAGE	V
MAX AC CURRENT	A
MAX OCPD RATING	A

LOWEST EXPECTED AMBIENT TEMP:	°C
HIGHEST CONTINUOUS TEMPERATURE:	°C

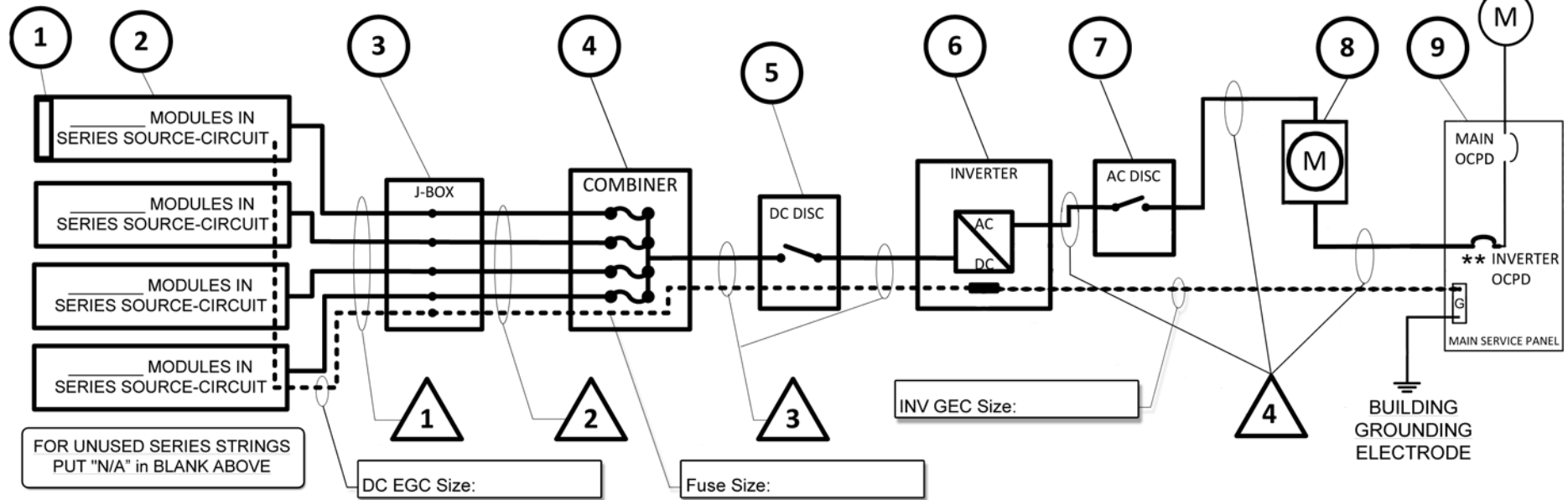
NEC 690.8(B) Photovoltaic system currents shall be considered continuous.
 NEC 690.8(B)(1) The circuit conductors and overcurrent devices shall be sized to carry not less than 125 percent of the maximum currents calculated in 690.8(A).
Exception: Circuits containing an assembly, together with its overcurrent device(s), that is listed for continuous operation at 100 percent of its rating shall be permitted to be utilized at 100 percent of its rating.
 All signage and markings shall be a phenolic or metallic plate or other similar material in block letters 1/4 inch or greater in height, and suitable for the environment. Letters and background shall be in contrasting colors. Screws, rivets or other approved means shall be used to affix plates to equipment.

INVERTER		PANELBOARD	
Maximum Current	OCPD Size	Main Bus	Main OCPD
56 amps	70 amps	225 amps	200 amps
36 amps	45 amps	225 amps	225 amps
33 amps	40 amps	200 amps	200 amps
24 amps	30 amps	150 amps	150 amps
20 amps	25 amps	125 amps	125 amps
16 amps	20 amps	100 amps	100 amps

SITE PLAN RESIDENTIAL SMALL SCALE PV SYSTEM		Provide roof outline with location of all PV panels, j-box, combiner and DC disconnect.	
Permit #:	Date:	Contractor:	Contrator Phone:
Job Address:		Contact Name:	Contact Phone:

TAG	EQUIPMENT SCHEDULE				
1	SOLAR PV MODULE	MAKE:	MODEL:	(Attach Cut Sheet - See notes for ratings)	
2	PV ARRAY	WEIGHT:	HEIGHT FROM ROOF:	(Attach cut sheet of mounting system)	
3	J-BOX	LENGTH:	WIDTH:	HEIGHT:	NEMA RATING:
4	COMBINER	MAKE:	MODEL:	(Attach cut sheet)	
5	DC DISCONNECT	VDC:	DC AMP:	MAKE:	
6	DC/AC INVERTER	MAKE:	(Attach cut sheet - See notes for ratings)		
7	AC DISCONNECT	VAC:	AMPS:	MODEL:	
8	PRODUCTION METER	METER #:	(Check with serving utility for meter requirements & location)		
9	SERVICE PANEL	VAC:	MAIN OCPD:	BUS AMP:	INVERTER OCPD:

Contractor - Installer Information	
Permit #:	Date:
Name:	
Address:	
Contact Name:	
Contact Phone:	
Email:	



TAG	Conductor Insulation Type	CU/AL	Conductors			*Derated Amps	Raceway		Ambient Temp		Distance off Roof
			Size	Amps	Num		Size	Type	Roof	Attic	
1											
2											
3											
4											

* Note: Derating of conductors based on number of conductors in raceway, ambient temp and distance off roof where applicable. (NEC 310.15)
 ** Note: Conductors and overcurrent devices shall be sized to carry not less than 125 percent of the maximum currents. (NEC 690.8(B))

**Standard Electrical Diagram - Residential Small Scale PV System
Central Inverter Systems**

THIS PLAN MUST BE PROVIDED TO THE INSPECTOR AT THE JOB SITE

Site Name: _____

Site Address: _____

This plan is NOT intended to be used with micro inverters or transformer-less inverters. Conductors, where installed outdoors in raceways shall be "W" rated and have an insulation rating of 90 deg C.

Rev - 02/21/2013

NOTES for Residential Small Scale PV System Electrical Diagram

Permit #:	Date:
Contractor:	
Job Address:	
Contact Name:	
Contact Phone:	

SIGNS

SIGN FOR DC DISCONNECT	
PHOTOVOLTAIC POWER SOURCE	
RATED MPP CURRENT	A
RATED MPP VOLTAGE	V
MAX SYSTEM VOLTAGE	V
MAX CIRCUIT CURRENT	A
WARNING: ELECTRICAL SHOCK HAZARD—LINE AND LOAD MAY BE ENERGIZED IN OPEN POSITION	
SIGN FOR INVERTER OCPD AND AC DISCONNECT (IF USED)	
SOLAR PV SYSTEM AC POINT OF CONNECTION	
AC OUTPUT CURRENT	A
NOMINAL AC VOLTAGE	V
THIS PANEL FED BY MULTIPLE SOURCES (UTILITY AND SOLAR)	

PV MODULE RATINGS

MODULE MAKE	
MODULE MODEL	
MAX POWER-POINT CURRENT (I_{MP})	A
MAX POWER-POINT VOLTAGE (V_{MP})	V
OPEN-CIRCUIT VOLTAGE (V_{OC})	V
SHORT-CIRCUIT CURRENT (I_{SC})	A
MAX SERIES FUSE (OCPD)	A
MAXIMUM POWER (P_{MAX})	W
MAX VOLTAGE (TYP 600V _{DC})	V
VOC TEMP COEFF (mV/°C <input type="checkbox"/> or %/°C <input type="checkbox"/>)	
IF COEFF SUPPLIED, CIRCLE UNITS	

INVERTER RATINGS

INVERTER MAKE	
INVERTER MODEL	
MAX DC VOLT RATING	V
MAX POWER @ 40°C	W
NOMINAL AC VOLTAGE	V
MAX AC CURRENT	A
MAX OCPD RATING	A

LOWEST EXPECTED AMBIENT TEMP:	°C
HIGHEST CONTINUOUS TEMPERATURE:	°C

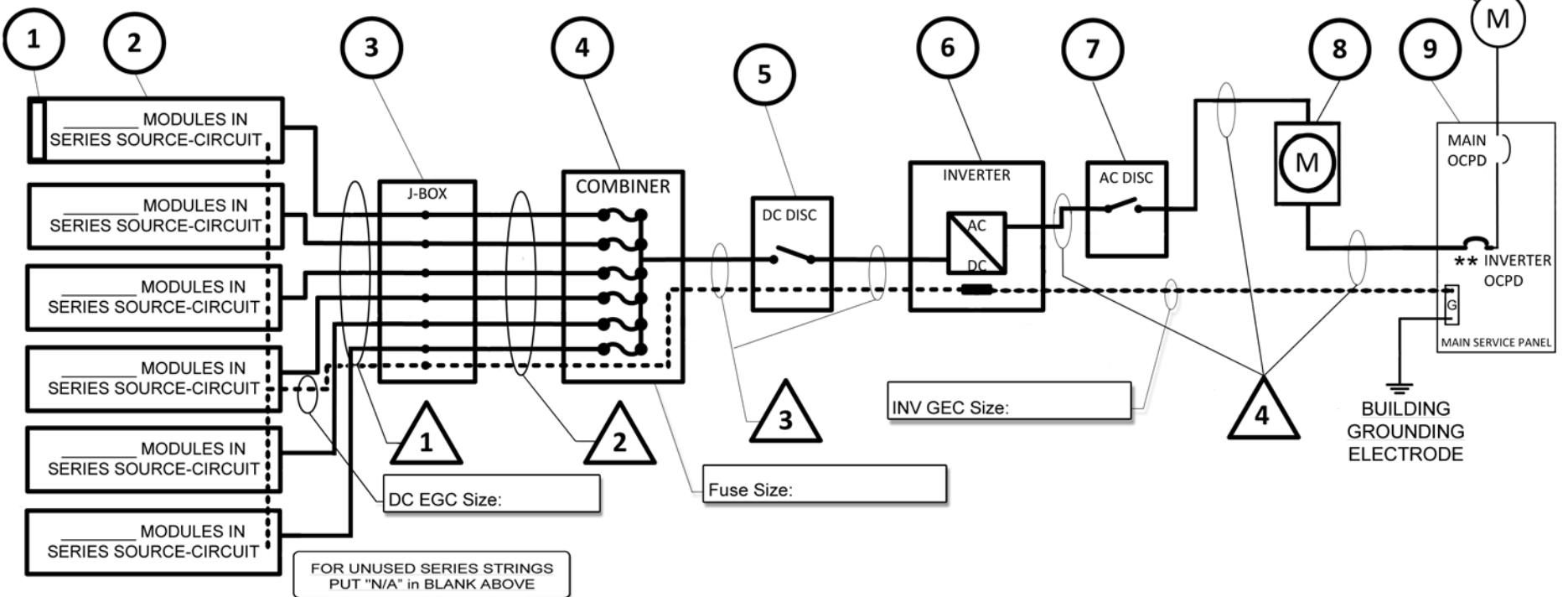
NEC 690.8(B) Photovoltaic system currents shall be considered continuous.
 NEC 690.8(B)(1) The circuit conductors and overcurrent devices shall be sized to carry not less than 125 percent of the maximum currents calculated in 690.8(A).
Exception: Circuits containing an assembly, together with its overcurrent device(s), that is listed for continuous operation at 100 percent of its rating shall be permitted to be utilized at 100 percent of its rating.
 All signage and markings shall be a phenolic or metallic plate or other similar material in block letters 1/4 inch or greater in height, and suitable for the environment. Letters and background shall be in contrasting colors. Screws, rivets or other approved means shall be used to affix plates to equipment.

INVERTER		PANELBOARD	
Maximum Current	OCPD Size	Main Bus	Main OCPD
56 amps	70 amps	225 amps	200 amps
36 amps	45 amps	225 amps	225 amps
33 amps	40 amps	200 amps	200 amps
24 amps	30 amps	150 amps	150 amps
20 amps	25 amps	125 amps	125 amps
16 amps	20 amps	100 amps	100 amps

SITE PLAN RESIDENTIAL SMALL SCALE PV SYSTEM		Provide roof outline with location of all PV panels, j-box, combiner and DC disconnect.	
Permit #:	Date:	Contractor:	Contrator Phone:
Job Address:		Contact Name:	Contact Phone:

TAG	EQUIPMENT SCHEDULE				
1	SOLAR PV MODULE	MAKE:	MODEL:	(Attach Cut Sheet - See notes for ratings)	
2	PV ARRAY	WEIGHT:	HEIGHT FROM ROOF:	(Attach cut sheet of mounting system)	
3	J-BOX	LENGTH:	WIDTH:	HEIGHT:	NEMA RATING:
4	COMBINER	MAKE:	MODEL:	(Attach cut sheet)	
5	DC DISCONNECT	VDC:	DC AMP:	MAKE:	
6	DC/AC INVERTER	MAKE:	(Attach cut sheet - See notes for ratings)		
7	AC DISCONNECT	VAC:	AMPS:	MODEL:	
8	PRODUCTION METER	METER #:	(Check with serving utility for meter requirements & location)		
9	SERVICE PANEL	VAC:	MAIN OCPD:	BUS AMP:	INVERTER OCPD:

Contractor - Installer Information	
Permit #:	Date:
Name:	
Address:	
Contact Name:	
Contact Phone:	
Email:	



TAG	Conductor Insulation Type	CU/AL	Conductors			*Derated Amps	Raceway		Ambient Temp		Distance off Roof
			Size	Amps	Num		Size	Type	Roof	Attic	
1											
2											
3											
4											

* Note: Derating of conductors based on number of conductors in raceway, ambient temp and distance off roof where applicable. (NEC 310.15)
 ** Note: Conductors and overcurrent devices shall be sized to carry not less than 125 percent of the maximum currents. (NEC 690.8(B))

Standard Electrical Diagram - Residential Small Scale PV System Central Inverter Systems

THIS PLAN MUST BE PROVIDED TO THE INSPECTOR AT THE JOB SITE

Site Name: _____

Site Address: _____

This plan is NOT intended to be used with micro inverters or transformer-less inverters. Conductors, where installed outdoors in raceways shall be "W" rated and have an insulation rating of 90 deg C.

Rev - 02/23/2013

NOTES for Residential Small Scale PV System Electrical Diagram

Permit #:	Date:
Contractor:	
Job Address:	
Contact Name:	
Contact Phone:	

SIGNS

SIGN FOR DC DISCONNECT	
PHOTOVOLTAIC POWER SOURCE	
RATED MPP CURRENT	A
RATED MPP VOLTAGE	V
MAX SYSTEM VOLTAGE	V
MAX CIRCUIT CURRENT	A
WARNING: ELECTRICAL SHOCK HAZARD—LINE AND LOAD MAY BE ENERGIZED IN OPEN POSITION	
SIGN FOR INVERTER OCPD AND AC DISCONNECT (IF USED)	
SOLAR PV SYSTEM AC POINT OF CONNECTION	
AC OUTPUT CURRENT	A
NOMINAL AC VOLTAGE	V
THIS PANEL FED BY MULTIPLE SOURCES (UTILITY AND SOLAR)	

PV MODULE RATINGS

MODULE MAKE	
MODULE MODEL	
MAX POWER-POINT CURRENT (I_{MP})	A
MAX POWER-POINT VOLTAGE (V_{MP})	V
OPEN-CIRCUIT VOLTAGE (V_{OC})	V
SHORT-CIRCUIT CURRENT (I_{SC})	A
MAX SERIES FUSE (OCPD)	A
MAXIMUM POWER (P_{MAX})	W
MAX VOLTAGE (TYP 600V _{DC})	V
VOC TEMP COEFF (mV/°C <input type="checkbox"/> or %/°C <input type="checkbox"/>)	
IF COEFF SUPPLIED, CIRCLE UNITS	

INVERTER RATINGS

INVERTER MAKE	
INVERTER MODEL	
MAX DC VOLT RATING	V
MAX POWER @ 40°C	W
NOMINAL AC VOLTAGE	V
MAX AC CURRENT	A
MAX OCPD RATING	A

LOWEST EXPECTED AMBIENT TEMP:	°C
HIGHEST CONTINUOUS TEMPERATURE:	°C

NEC 690.8(B) Photovoltaic system currents shall be considered continuous.
 NEC 690.8(B)(1) The circuit conductors and overcurrent devices shall be sized to carry not less than 125 percent of the maximum currents calculated in 690.8(A).
Exception: Circuits containing an assembly, together with its overcurrent device(s), that is listed for continuous operation at 100 percent of its rating shall be permitted to be utilized at 100 percent of its rating.
 All signage and markings shall be a phenolic or metallic plate or other similar material in block letters 1/4 inch or greater in height, and suitable for the environment. Letters and background shall be in contrasting colors. Screws, rivets or other approved means shall be used to affix plates to equipment.

INVERTER		PANELBOARD	
Maximum Current	OCPD Size	Main Bus	Main OCPD
56 amps	70 amps	225 amps	200 amps
36 amps	45 amps	225 amps	225 amps
33 amps	40 amps	200 amps	200 amps
24 amps	30 amps	150 amps	150 amps
20 amps	25 amps	125 amps	125 amps
16 amps	20 amps	100 amps	100 amps

SITE PLAN RESIDENTIAL SMALL SCALE PV SYSTEM		Provide roof outline with location of all PV panels, j-box, combiner and DC disconnect.	
Permit #:	Date:	Contractor:	Contrator Phone:
Job Address:		Contact Name:	Contact Phone: